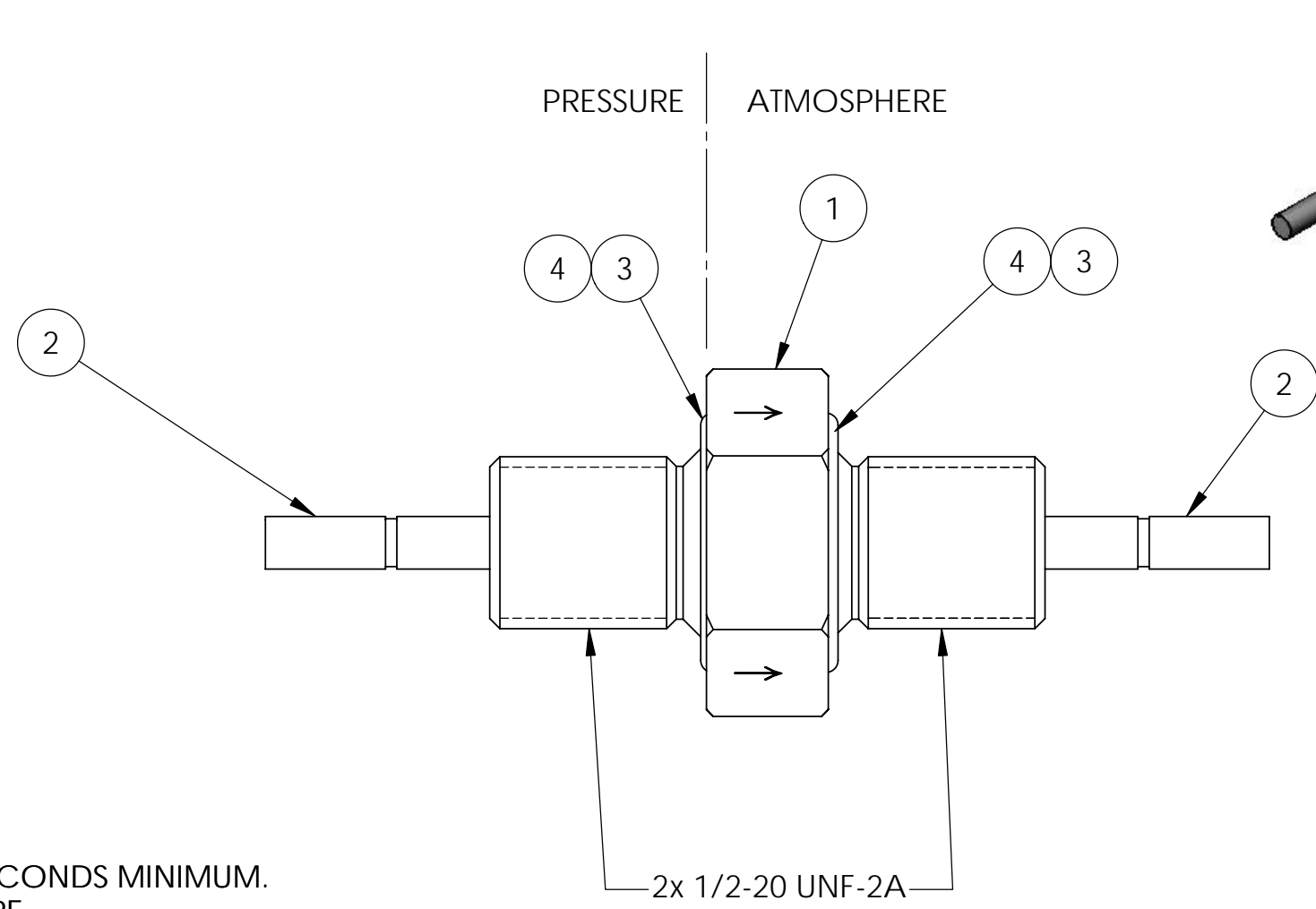
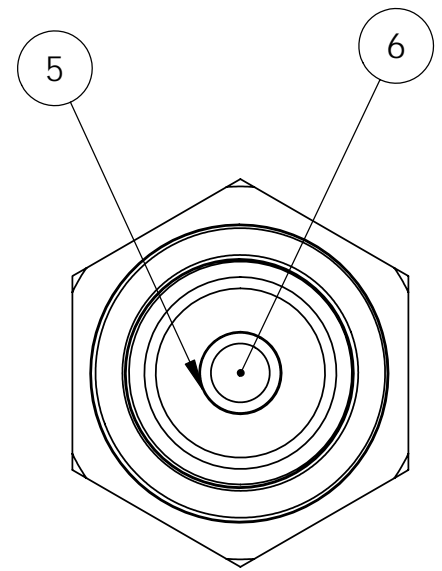


ISSUE LET.	ALTERATIONS	CHANGED BY	DATE



NOTES:

1. LEAK TEST: 10,000 PSI (700 BAR), NO BUBBLES 30 SECONDS MINIMUM.
2. ALL TESTS ARE PERFORMED AT ROOM TEMPERATURE.
3. PERCENTAGE OF PARTS TESTED WILL BE 100% (MAY BE A LESSER PERCENTAGE FOR LARGE PRODUCTION QUANTITIES, UNLESS OTHERWISE NOTED OR REQUIRED).
4. INSERTION LOSS: <0.5 dB BETWEEN 1520 & 1620 nm.
5. BOTH ITEMS 2 AND 1 SHOULD BE STRAIGHT & IN-LINE.
6. MATES TO DELPHI 4568515H (SNAP-LOCK FIBER OPTIC PLUG) & TO PAVE 2843-1.

PAVE will meet the assembly and test specifications of the customer as documented on this assembly drawing. Any changes must be approved by PAVE.

PAVE technology co.
 2751 Thunderhawk Court
 Dayton, OH 45414-3445
 U.S.A.
 tel (937) 890-1100
 fax (937) 8905165
 www.pavetechnologyco.com

6	1	MMFO	FIBER OPTIC MULTIMODE 250 MICRON BUFFERED
5	A/R	PAVE-Seal 150	EPOXY BLACK
4	A/R	PARKER O-LUBE	LUBRICANT O-RING BARIUM-BASED
3	2	-016 VITON	O-RING -016 VITON 75
2	2	4568516H	RCPT FIBER SNAP-LOCK
1	1	2594	HOUSING VS8N HI-P
ITEM	QTY	PART NUMBER	DESCRIPTION

DESCRIPTION PAVE-Opti Seal™ Cable Harnesses
VS8N-SS-150-1-MMFO-SNAPLOCK

MATERIAL
NOTED

DR. BY **AJH** APPROVED BY DATE **29 AUG 05** DRAWN FROM **PAVE** SCALE **2:1**

PART NUMBER **2567-1** REVISION LEVEL **1** PROJECTION

FINISH

ALL DIMENSIONS AND TOLERANCES APPLY TO FINISHED PART IN INCHES.
 ALLOWABLE TOLERANCES UNLESS SPECIFIED OTHERWISE: NONE ±0.5
 X.X DECIMAL ±0.1 X.XX DECIMAL ±0.02 X.XXX DECIMAL ±0.005
 ANGLES ±1 DEGREE SURFACE FINISH 128 microinch RMS