

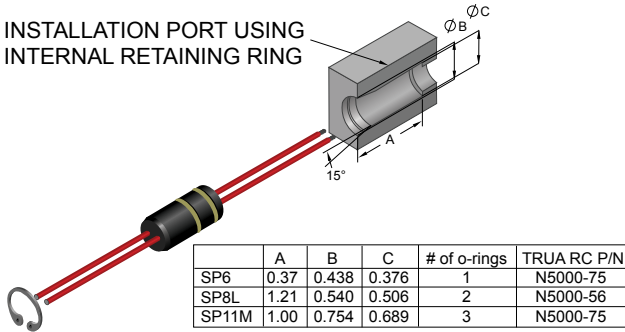
PAVE-Seal® Wire Harnesses

Smallest, most compact seal designs and lowest costs, especially for large quantities. Other plastic housing shell materials besides PAVE-Seal epoxy such as Nylon, Ryton and PPS may also be available.

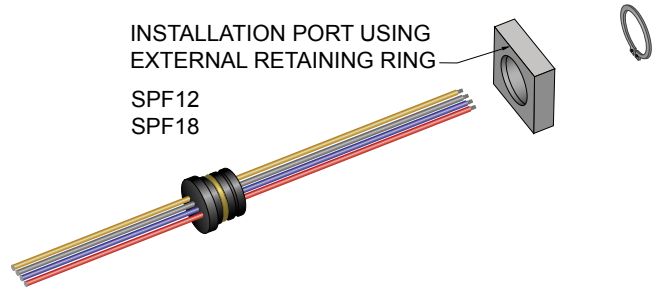
Insulated, stranded conductor wires are standard (except for thermocouple wire which is normally solid conductor) with no detectable leakage through the wire insulation or conductors. Commercial or mil-spec wires may be specified.



INSTALLATION PORT USING INTERNAL RETAINING RING



INSTALLATION PORT USING EXTERNAL RETAINING RING



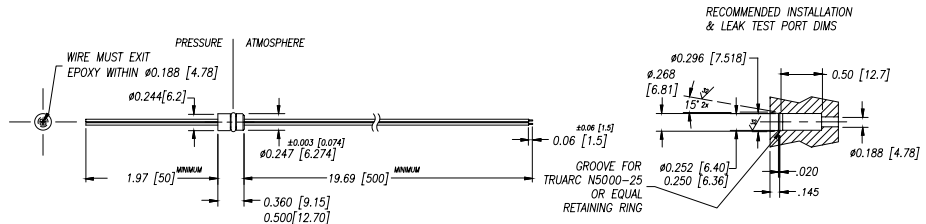
PAVE-Seal® Wire Harnesses

See Website Quick Ship Price List

Dimensions in inches [mm]

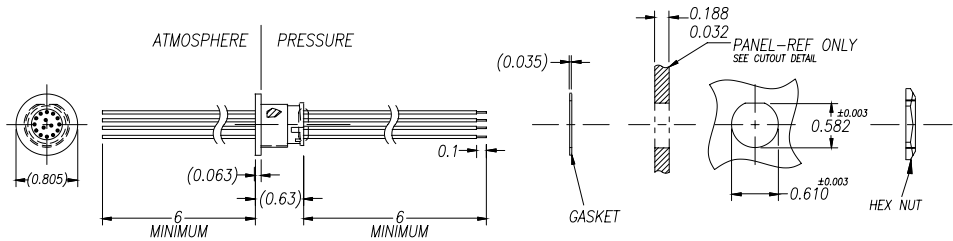
PAVE-Seal® #2846

SP4S 4 #28
Teflon wires
Hermetic seal vacuum to up to 250 bar (+3000 psi) pressure. Locked into place with internal retaining ring



PAVE-Seal® #2244

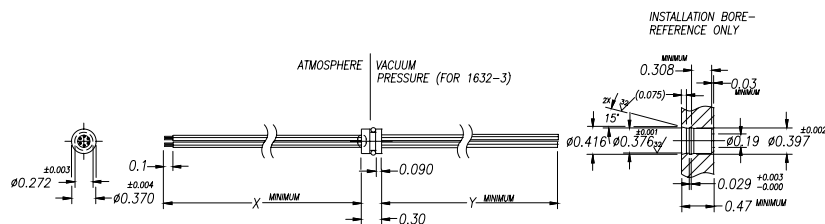
15 #26 solid conductor
Teflon wires
Hermetic seal for vacuum to 10 bar (150 psi)
Thin wall nitrile gasket face seal with nylon nut
Other sizes available



SP6

PAVE-Seal® #1632

SP6 6 #28
Teflon wires
Hermetic seal for vacuum to 300 bar (5000 psi) pressures



PAVE-Seal® Wire Harnesses

SP8

Dimensions in inches [mm]

<p>PAVE-Seal® #1226</p> <p>SP8 Housing sizes Four different length versions with one or two O-rings for a variety of wiring</p>	
<p>PAVE-Seal® #0597</p> <p>SP8L 9 #22 Tefzel wires Seals vacuum up to 200 bar (3000 psi)</p>	
<p>PAVE-Seal® #2624</p> <p>SP8L 2 #16 Tefzel wires Also used in low pressure 1 bar (15 psi) marine fuel pump seals</p>	
<p>PAVE-Seal® #2131</p> <p>SP8M 2 #22 XLPE shielded cable Used in UV water purification systems</p>	
<p>PAVE-Seal® #0889</p> <p>SP8S 6 #24 PVC wires Offshore seabed logging to 200 bar (3000 psi) pressures</p>	

SP9

<p>PAVE-Seal® #1627</p> <p>SP9 16 #24 Teflon wires Super high pressures to 700 bar (10,000 psi)</p>	
--------------------------------------------------------------------------------------------------------------------	--

PAVE-Seal® Wire Harnesses

SP11

Dimensions in inches [mm]

<p>PAVE-Seal® #1374</p> <p>SP11 Housing sizes 3 different lengths with one or two O-rings</p>	
<p>PAVE-Seal® #2298</p> <p>SP11M 21 #26 Teflon wires Vacuum to 200 bar (3000 psi)</p>	
<p>PAVE-Seal® #2316</p> <p>SP11L 10 #24 Teflon wires Mass flow meters, fuel pumps, transmissions</p>	

SPF12

<p>PAVE-Seal® #2104</p> <p>SPF12 10 #28 Teflon wires Vacuum to 40 bar (600 psi)</p>	
<p>PAVE-Seal® #1575</p> <p>SPF12 4 #10 Teflon wires Up to 40 amps per wire</p>	
<p>PAVE-Seal® #3053</p> <p>SPFL12 2 #14 & 2 #20 Teflon wires Fuel pumps, fuel cell systems</p>	

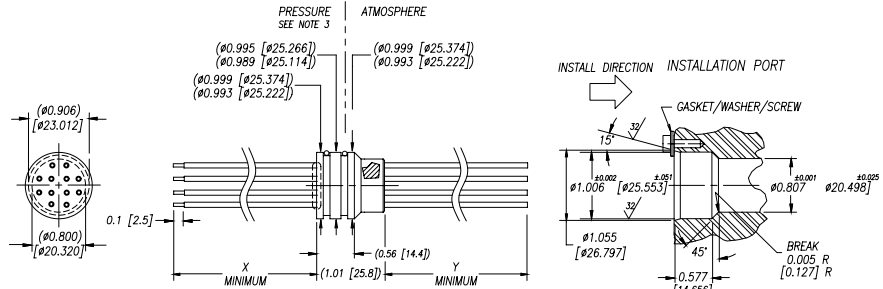
PAVE-Seal® Wire Harnesses

SP16

Dimensions in inches [mm]

PAVE-Seal® #2189

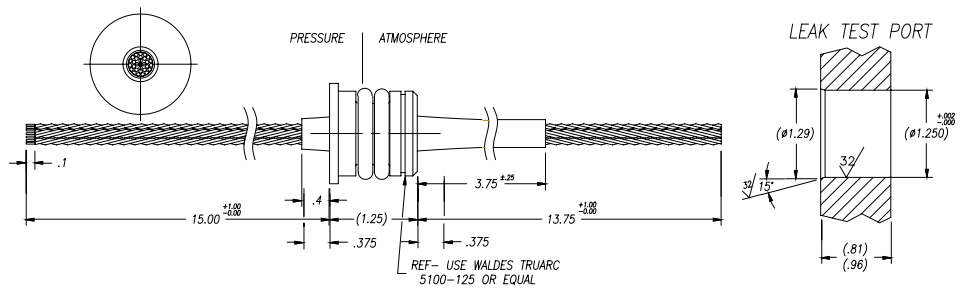
SP16 12 #18
Teflon wires
Vacuum to 40 bar (600 psi)
Natural gas, propane, SF6,
hydrogen gas systems



SPF18

PAVE-Seal® #1733

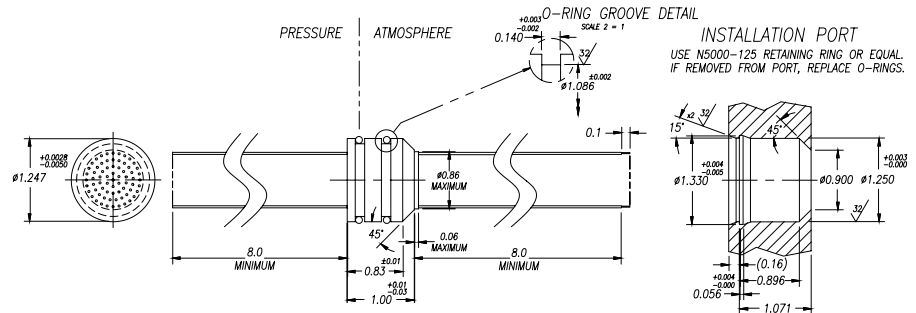
SPF18 30 #22
Twisted Teflon wires
Double O-rings, vacuum to 20
bar (300 psi)
Humvee transmission,
high voltage switch seals



SP20

PAVE-Seal® #1707

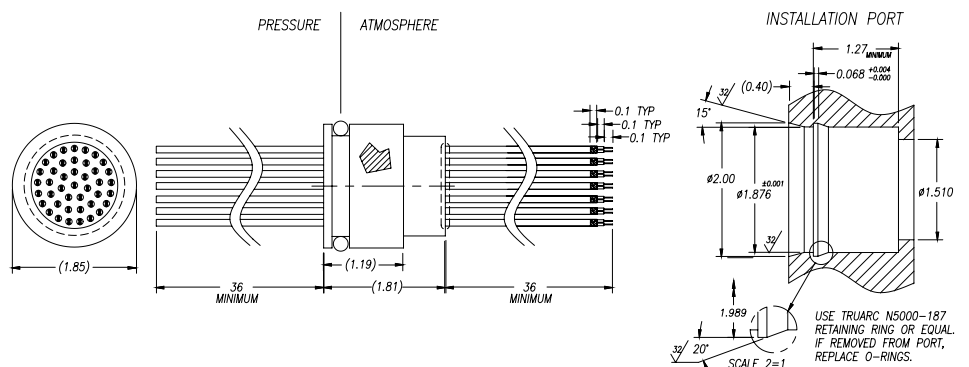
SP20 70 #26
Teflon wires
Vacuum to +200 bar (3000 psi)
GE oil field equipment



SP26

PAVE-Seal® #2722

SP26 42 Twisted, shield #28
Teflon pairs
Vacuum to 40 bar (600 psi)



PAVE-Seal® Wire Harnesses

Standard Metal Housings

(Shown without wires, pins, or epoxy seal)

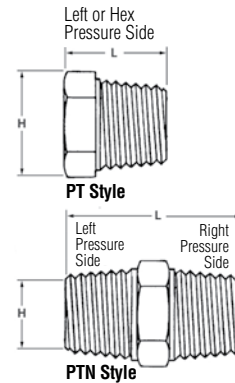
Available in 300 Series Stainless (SS), Brass (B), Galvanized Steel (PS), or Aluminum (AL). Other sizes available.

For use in PAVE-Seal, PAVE-Mate, PAVE-Flex or PAVE-Optic Seal products. Customer to specify wiring and/or contact arrangement to be sealed in below housings. See following pages. Other sizes not shown may be available, including **metric**. Dimensions are subject to change. Explosion-proof housings to Factory Mutual, CSA, UL, or CENELEC EN specifications are also available. Confirm all pressure ratings above 300 psi (20 bar) with the factory sales engineers.

Pipe Thread (NPT)

10⁻⁶ Torr (mbar) to +3,000 psi (+200 bar)

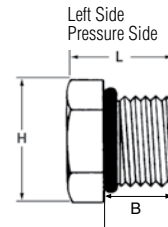
PAVE Part No.	Thread Size inch	PT Length inch	"L" mm	PTN Length inch	"L" mm	Hex Size inch	Max "H" mm
PT1	1/16	0.53	13,46	1.06	26,92	0.38	9,65
PT2	1/8	1.06	26,92	1.06	26,92	0.50	12,70
PT4	1/4	0.84	21,34	1.45	36,83	0.71	18,03
PT6	3/8	0.84	21,34	1.45	36,83	0.85	21,59
PT8	1/2	1.10	27,94	1.89	48,01	1.00	25,40
PT12	3/4	1.17	29,72	1.97	50,04	1.30	33,02
PT16	1	1.36	34,54	2.34	59,44	1.60	40,64
PT24	1 1/2	1.62	41,15	2.61	66,29	2.30	58,42



SAE Straight Thread O-Ring (UNF-2A Threads)

10⁻⁸ Torr (mbar) to +4,000 psi (+300 bar)

PAVE Part No.	Thread Size inch	Length inch	"L" mm	Parker O-Ring Size	"B" inch	"B" mm	Hex Size inch	Max "H" mm
S06	3/8 - 24	.061	15,49	3-3	.30	7,62	0.56	14,22
S08	1/2 - 20	0.67	17,02	3-5	.36	9,14	0.71	18,03
S08L	1/2 - 20	1.50	38,10	3-5	.36	9,14	0.71	18,03
S012	3/4 - 16	0.80	20,32	3-8	.44	11,18	1.00	25,40
S012L	3/4 - 16	1.25	31,75	3-8	.44	11,18	1.00	25,40
S016	1 1/16 - 12	1.09	27,69	3-12	.59	14,99	1.44	36,58
S016L	1 1/16 - 12	1.50	38,10	3-12	.59	14,99	1.44	36,58
S022	1 5/8 - 12	2.00	50,80	3-20	.63	16,00	2.15	54,61
S026	1 7/8 - 12	2.12	53,85	3-24	.59	14,99	2.45	62,23

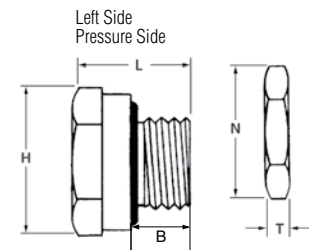


Vacuum Seal and Jam Nut (UN-2A Threads)

10⁻⁸ Torr (mbar) to +1,000 psi (+70 bar)

Thru hole diameter is +0.010, -0.000 inches (+0,254, -0.000 mm) thread size

PAVE Part No.	Thread Size inch	Length inch	"L" mm	O-Ring Size	"B" inch	"B" mm	Hex Size inch	Max "H" mm
VS8	1/2 - 20	0.90	22,86	-112	.44	11,18	0.96	24,38
VS12L	3/4 - 16	1.48	37,59	-116	1.03	26,16	1.25	31,75
VS15L	1 - 14	1.88	47,75	-215	1.25	31,75	1.73	43,94
VS18	1 1/4 - 12	1.88	47,75	-219	1.25	31,75	1.91	48,51
VS22	1 5/8 - 12	2.00	50,80	-224	1.25	31,75	2.59	65,79
VS26	1 7/8 - 12	2.12	53,85	-226	1.25	31,75	2.88	73,15
VS32	2 1/2 - 12	2.25	57,15	-231	1.25	31,75	3.25	82,55



VS	8	12	15	18	22	26	32
T(in)	.25	.31	.32	.36	.39	.41	.41
T(mm)	6.4	7.9	8.1	9.1	9.9	10	10
N(in)	.77	1.0	1.6	1.7	2.3	2.5	3.3
N(mm)	20	25	36	43	58	63	83

Tighten nut to 20 ft-lbs max to avoid damage.

NW, ISO, Conflat or ASA Vacuum Flanges

10⁻⁸ Torr (mbar) to 150 psi (+10 bar)

PAVE Part No.	Length inch	"L" mm	Tube O.D. inch	Tube O.D. mm
NW16	1.15	29,21	3/4	19,05
NW25	2.03	51,56	1	25,4
NW40	2.40	60,96	1-1/2	38,1

