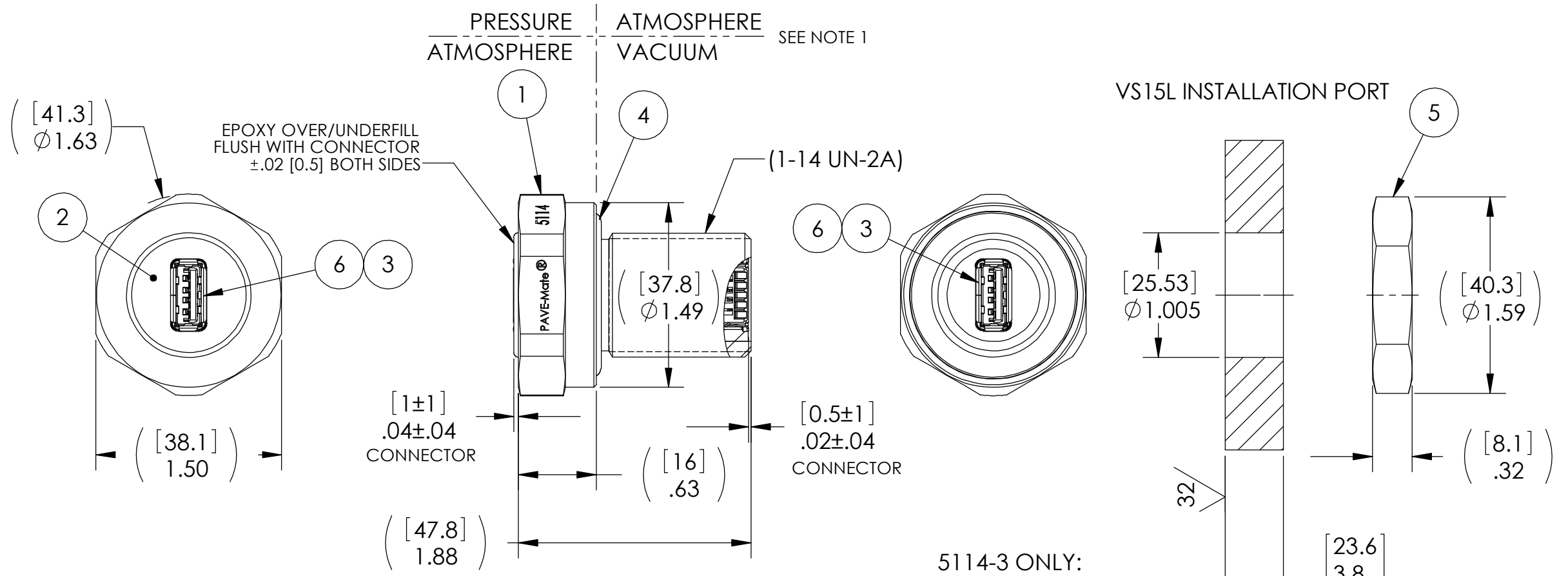


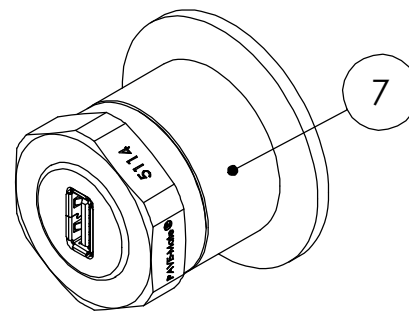
PINOUT	
PRESSURE SIDE	ATM. SIDE
1	1
2	2
3	3
4	4
8	5
9	6
7	7
5	8
6	9
SHELL	SHELL



NOTES:

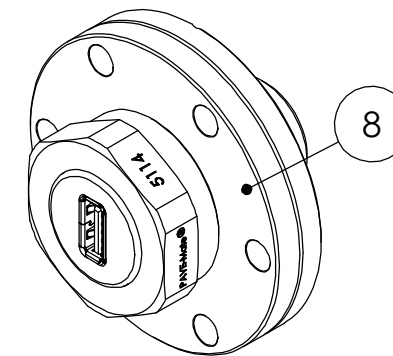
- LEAK TEST:
5114, 5114-2, & 5114-3 ONLY: HE LEAK TEST @ 1 ATM. 1X10⁻⁶ CC/SEC OR LESS. 5114-3 IS TESTED WITH A G-275 VITON GASKET (NOT INCLUDED).
5114-1 ONLY: 1000 PSI, NO N₂ BUBBLES 30 SECONDS MINIMUM. A GREEN PAINT DOT INDICATES THE PART HAS PASSED THE TEST.
- PART IS FUNCTIONALLY TESTED WITH MATING USB 3.0 CABLES AND A PC TO TRANSFER A FILE AT FASTER THAN 90 Mbps.
- 5114-2 ONLY IS SHIPPED WITH & INSTALLED INTO ITEM 7 (NW40 ADAPTER) BEFORE LEAK TESTING, & WITHOUT ITEM 5 (NUT).
- ALL TESTS ARE PERFORMED AT ROOM TEMPERATURE.
- ALL PARTS MUST PASS ALL TESTS.
- COSMETIC SURFACE VOIDS NOT ON O-RING SEALING SURFACES ARE ACCEPTABLE BASED ON THE SEAL'S DIAMETER:
<= .5 [12.7] SEAL DIAMETER: Ø .035 [.89] MAX ALLOWED VOID SIZE
> .5 [12.7] SEAL DIAMETER: Ø .060 [1.5] MAX ALLOWED VOID SIZE
- REF-OPERATING TEMPERATURE RANGE -20 °C TO 85 °C.
- DIMENSIONS ARE INCHES [millimeters].
- PAVE-SEAL CAN BE A BI-DIRECTIONAL HERMETIC SEAL FOR VACUUM AND MOST PRESSURES. FOR PRESSURES ABOVE 150 PSI (10 BAR), CHECK WITH SALES ENGINEERING.
- 5114-3 ONLY IS SHIPPED WITH & INSTALLED INTO ITEM 8 (CF275 ADAPTER) BEFORE LEAK TESTING, & WITHOUT ITEM 5 (NUT).

5114-2 ONLY:



SCALE: 2:3

5114-3 ONLY:



SCALE: 2:3

ITEM	QTY	PART NUMBER	DESCRIPTION
8	1*	3821 *SEE NOTE 10	FLANGE CF275-SS VS15 ADAPTER
7	1*	5119 *SEE NOTE 3	HOUSING NW40-SS VS15 ADAPTER
6	2	GSB412137CHR	RCPT USB A-TYPE 3.1 AMPHENOL OR EQUAL
5	1	0183	NUT VS15-SS
4	1	-215 VITON	O-RING -215 VITON 75
3	A/R	FIT-221L 1/2"	TUBING SHRINK LSZH POLYOLEFIN BLACK
2	A/R	PAVE-Seal 150	EPOXY BLACK
1	1	0161	HOUSING VS15L-SS

PAVE technology co.
 2751 Thunderhawk Court
 Dayton, OH 45414-3445
 U.S.A.
 tel (937) 890-1100
 fax (937) 8905165
 www.pavetechnologyco.com

DESCRIPTION
 VS15L-SS-150-1-USBAfemale CROSSOVER USB3.1

PART NUMBER
5114

MATERIAL NOTED

REVISION LEVEL
 D

PROJECTION

ALL DIMENSIONS AND TOLERANCES APPLY TO FINISHED PART IN INCHES.
 ALLOWABLE TOLERANCES UNLESS SPECIFIED OTHERWISE: NONE ±0.5
 X.X DECIMAL ±0.1 X.XX DECIMAL ±0.02 X.XXX DECIMAL ±0.005
 ANGLES ±1 DEGREE SURFACE FINISH 128 microinch RMS